



# Challenge gravity with Eco Log 688E

The Eco Log 688F is an eight-wheeled harvester specially designed to minimize ground pressure when working in sensitive environments.

The powerful Volvo Penta engine, combined with versatility and flexibility, make the Eco Log 688F ideal for the toughest of jobs.

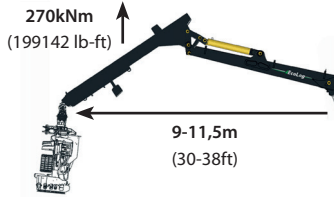
200kN  
(44962 lbf)  
traction

4,1N/cm<sup>2</sup>  
(5,9 psi)  
ground pressure\*

\* May vary depending on equipment.

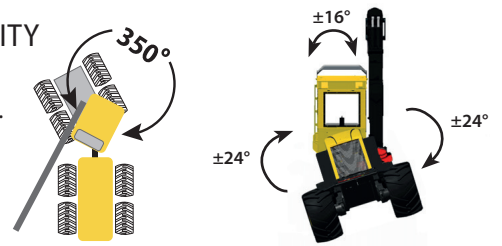


## CRANE EC260



## EXCELLENT VISIBILITY AND GREAT STABILITY

The driver cabin can be rotated a full 350 degrees, offering an almost unbeatable view of the work area. The Eco Log 688F also has a stable platform, providing great mobility and stability.



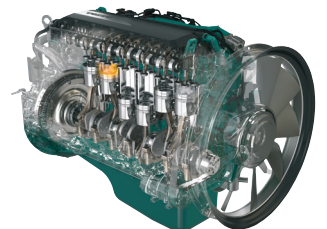
## Some of the advantages of the Eco Log 688F:

- Specially designed for off-road work
- Minimizes ground pressure in sensitive environments
- Powerful Volvo Penta D8 engine
- Crane with powerful slewing torque
- High serviceability
- Stable platform

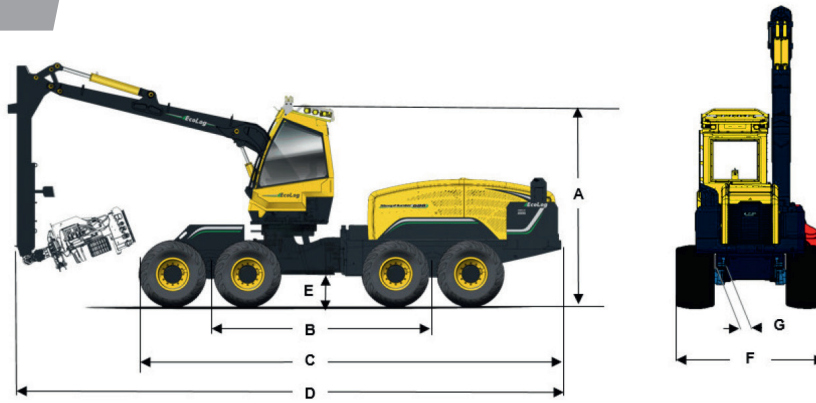


## POWERFUL ENGINES

Eco Log harvesters are powered by Volvo Penta D8 engines, characterized by high performance, great reliability, impressive fuel efficiency, and low emissions.



# Specifications



Dimensions	
Standard weight, kg (lbs)	23 000 (50706)
Height (A), mm (in), during transport	3850 (152)
Height (A), mm (in), during operation	4210 (166)
Length (B), mm (in)	4530 (178)
Length (C), mm (in)	8570 (337)
Length (D), mm (in)	11065 (436)
Ground clearance (E), mm (in)	650 (26)
Width (F), wheels 710   800, mm (in)	2940   3000 (116   118)
Width (F), wheels 710   800, mm (in), SteepHunter	3000   3060 (118   120)
Engine	
Type	VOLVO PENTA D8, 7.7 l
Fulfils emission requirements of	Stage V/Tier 4F/Stage III <sup>(1)</sup>
Power at 2200 rpm, kW (hp)	210 (286)
Torque, Nm (lbf-ft)	1237 (912)
Capacity, fuel tank, l (US gal)	460 (121)
Transmission	
Type	Hydrostatic-mechanical
Tractive force, kN (lbf)	200 (44962)
Maximum speed, km/h (mph)	20 (12)
Hydraulics	
Crane pump, cm <sup>3</sup> (cu in)	140 (8.5)
Flow at 1600 rpm for crane, l/min (US gal/m)	275 (73)
Head pump, cm <sup>3</sup> (cu in)	145 (8.9)
Flow at 1600 rpm for head, l/min (US gal/m)	285 (75)
Working pressure, bar (PSI)	250 (3626)
Capacity hydraulic tank, l (US gal)	200 (53)
Wheels	
Standard	8 wheels 710/45-26.5"
Optional	8 wheels 800/40-26.5"

Cab	
Rotation, °	350
Tilt, sideways, °	±16
Tilt, forward-backward, °	16   10
Driver's seat	BeGe 7130L (standard) / BeGe 3130L (optional)
Miscellaneous	7-inch touch-screen, radio with Bluetooth, MP3, and USB port, manual tilt, lunch-box heater, 12 and 24V power outlets
Crane	
Lifting torque, gross, kNm (lb-ft)	270 (199142)
Reach, m (feet)	9 / 10 / 11 / 11.5 (30 / 33 / 36 / 38)
Torque, gross, kNm (lb-ft)	50 / 70 <sup>(2)</sup> (36878 / 51629 <sup>(2)</sup> )
Steering	
Steering angle, °	43
Oscillation, articulated joint, °	±24
Electrical system	
Voltage, V	24
Alternator, A	130
Battery capacity, Ah	2 x 145
Bucking system	
Name	Forester
Processor	Intel® Core™ i3 Mobile, Sandy Bridge Processor
Internal memory	4 GB DDR3 1333 / 1066 MHz
Ports	4 serial ports, 4 LAN, 6 USB (2 USB 2.0 / 4 USB 3.0), 1 CFast slot, 1 DVI-I, 1 VGA. Audio: Audio in, audio out, mic in
Color display	Touch-screen, 15.6" wide-screen
Operating system	Windows 8 Professional
Work lights	
Number	20
Type	LED
Head	
Log Max 5000, Log Max 6000, or Log Max 7000 <sup>(3)</sup>	

<sup>(1)</sup> Version Euromot 3a available for exportation to countries where legislation permits.

<sup>(2)</sup> 70kN (51629 lb-ft) theoretical value in the configuration with 3 swing motors – optional.

<sup>(3)</sup> Log Max 7000 is only available with 9 meter crane reach.

© Eco Log Sweden AB. Specifications may be altered without prior notice. All figures are approximate. Images and texts are not legally binding.